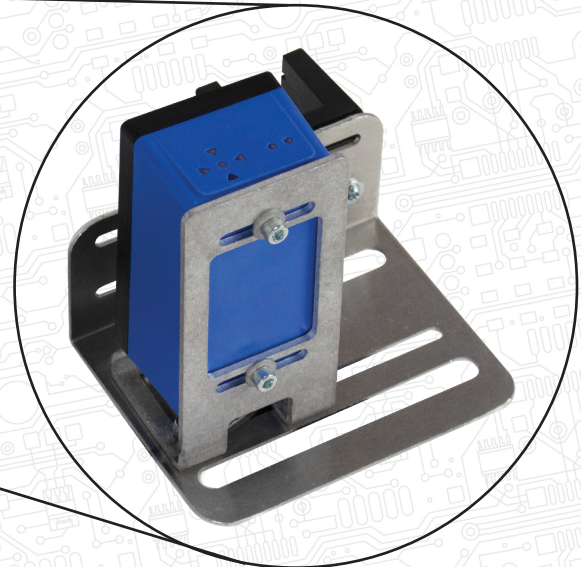
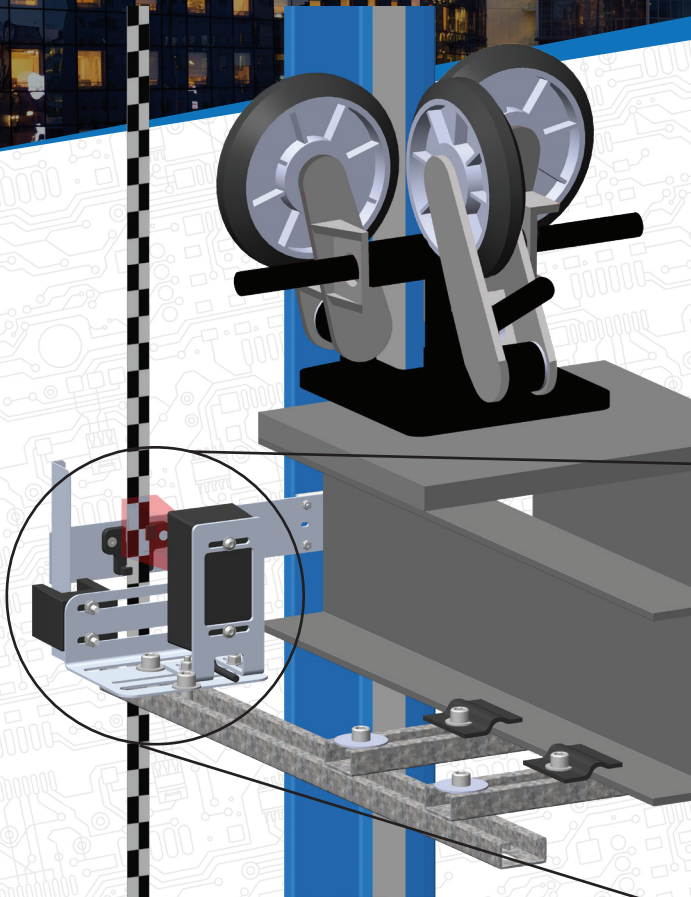


LANDING SYSTEM

Smartrise's Landing System uses a dual sensor configuration to create our Absolute Positioning System with a redundancy that meets the codes and standards of the industry. Using sensors instead of mechanical switches creates a contactless solution that lowers maintenance costs while being more reliable and precise.



General Specifications and Benefits

- Smartrise APS (Absolute Positioning System) monitors cars to the .5 mm, using a redundant dual sensor camera system that reads the position and velocity of the car
- Certified according to IEC 61508, and approved in elevator applications according to EN81 -1/-2, EN 81- 20/50 and ASME A17.1 and A17.5
- Smartrise uses the CAT5 Network, which uses fewer wires and simplifies installation
- Simple to align and adjust

Contact our Sales Department at sales@smartrise.us to order or for more information.